

# SMARTair™ Electronic escutcheon

## Euro profile

### Offline/Update on Card







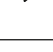




**SMARTair™**  
Your Access. Your Control.

The SMARTair™ wireless and battery powered escutcheons are ideal for transit, office or meeting room doors. The wide range of escutcheons offer a RFID reader and locking mechanism in one for all kind of doors.

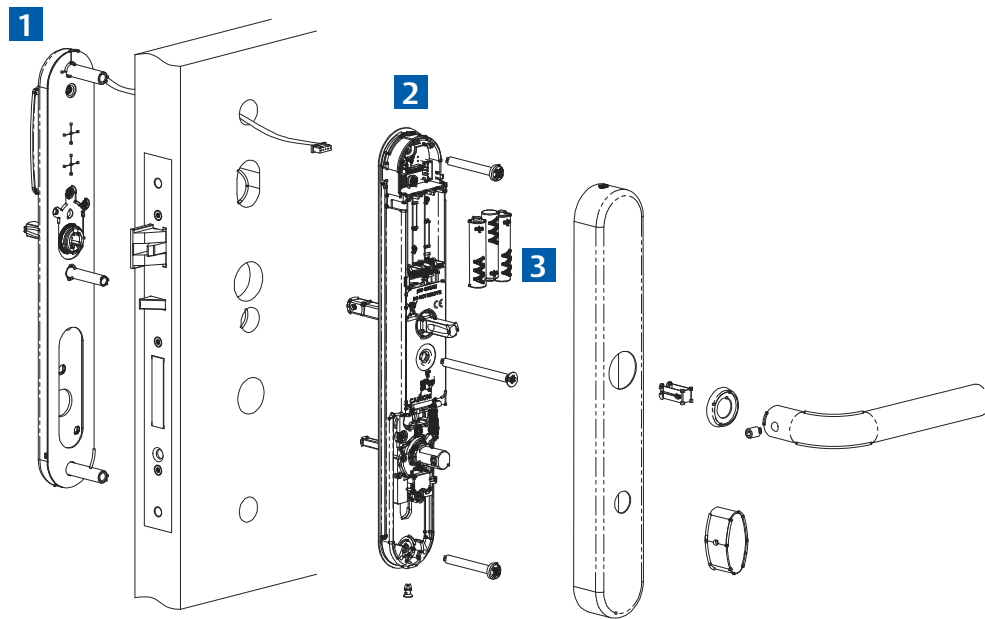


#### Technical data - SMARTair™ escutcheon

	<b>Door profiles</b>	Suitable for wooden, narrow or glass doors
	<b>Traffic volume</b>	Medium to high
	<b>Exterior usage</b>	IP56 (Extreme version) Up to 85% humidity Exterior side: -20°C to 70°C Interior side: 0°C to 50°C
	<b>Hardware compatibility and installation</b>	High retrofit (compatible with most common mortise locks) Drilling, no cabling Doors from 30mm up to 110mm (thicker doors may be possible on demand)
	<b>Power supply</b>	Battery (from 75.000 to 105.000 cycles)* max. 3 years standby** Type of batteries: 3 LR03 AAA 1.5V alkaline batteries
	<b>Multi-authentication</b>	No
	<b>Certifications</b>	CE (EMC, R&TTE) ROHS, REACH, WEE EN1634 (Fire)
	<b>RFID technologies</b>	HID iCLASS® MIFARE Classic and Ultralight SKIDATA DESFire
	<b>System management upgradability</b>	Escutcheons can be upgradeable from Standalone > Offline / Update On Card by: · Firmware upgrade with Upgrade Key  Offline / Update On Card > Wireless Online by: · Adding RF module · Firmware upgrade · Change of internal cover (cover + plastic top)

\* Depending on reading technology (MIFARE, iCLASS etc.):  
\*\* Depending on cycles per day.

# Electronic Technical Characteristics



## 1 Reader Module

- Activation Mode: The escutcheon is activated without any previous contact with the escutcheon, just approaching the credential, ensuring an efficient power consumption.
- Reading distance: 2-4 cm read/write distance with standard RFID credentials.
- Emergency opening: Jack connection is available to connect the portable programmer and emergency kit.
- RFID reader with LED (green/red) for different warning signals: access authorized or denied, low battery level, etc.

## 2 Control Unit

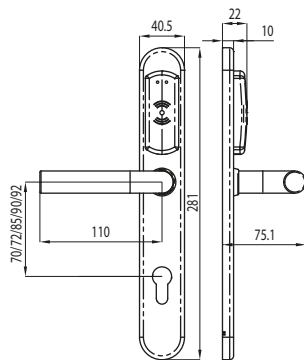
- Upgradeable firmware.
- Non-volatile memory. The escutcheon can be programmed to operate in 2 modes:
  - Normal mode: 1500 users and 600 events.
  - Extended mode: 1000 users and 1000 events.
  - High traffic door: unlimited number of users filtered into 48 groups (permissions). Stores 1000 events.
- Real-time clock and calendar:
  - 14 time zones with 5 time periods (week days and holidays selectable).
  - State tables: configure 20 changes of operating modes in a door per day (switch door from lock to unlock).
  - Yearly calendar needs to be updated once a year via portable programmer.
  - Automatic DST: Daylight Saving Time change. Updated with calendar.

## • Operating modes:

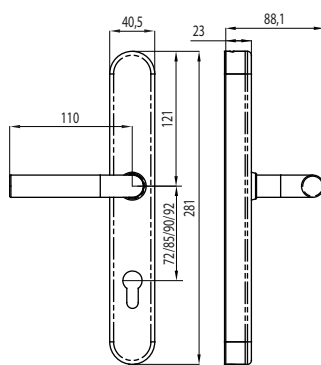
- Standard: Default operating mode. Freewheeling handle until valid credential presented, then allows to open the door for 4-10 seconds (configurable).
- Standard ADA: Standard with double opening time.
- Passage mode: Escutcheon is always in open mode (configured by time zones or by authorized user after double badging).
- Double user: Two valid credentials needed to open the door.
- First user: lock in standard mode until first valid user enters, then will remain in passage mode (until closed by authorized user or automatically by time zone, state tables).

## 3 Battery Module

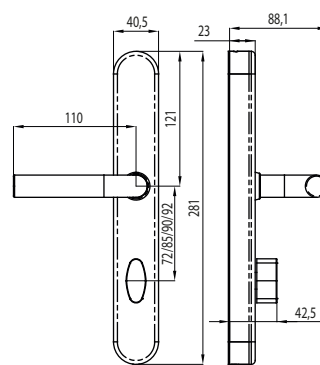
- Easy battery change.
- Maintains clock/calendar for 5 minutes without batteries.
- Low battery status is reported in the Update on Card management system on every event and transferred to the system via credentials when this are updated in a wall reader. For the Offline system the information will need to be collected from the device via a portable programmer.



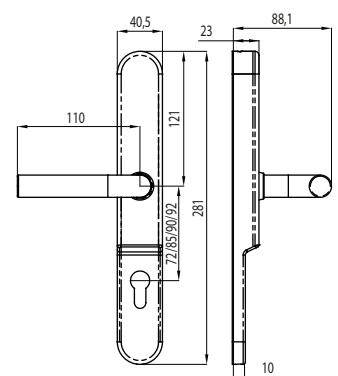
Ext. Proximity



Int. Cylinder



Int. Privacy



Int. 10mm

## Mortise Lock

- Compatible with standard European mortise locks with different distances between axes 70, 72, 85, 90 & 92mm.
- 7, 8 & 9 mm spindle models available.
- Pass through follower required (no split spindle).
- 42° handle turning should insert whole latch bolt (special model with 60° turning available).

## Door width

- Suitable for doors with a thickness from 30 to 110mm.
- The escutcheon's spindles have different lengths depending on the thickness of the door. It is necessary to provide the X and Y measurements (from mortise lock center to outside and inside).
- Spindle is dismountable, for flexibility in field.

## External escutcheon

- Freewheeling handle connects to spindle when access is granted.
- Not handed.
- The escutcheon is fixed with 3 through bolts (middle bolt is dismountable).
- Different designs available in SMARTair™ portfolio.
- Compatibly with other handles (check compatibility with your dealer):
  - Maximum weight 300gr (at 50mm from spindle).
  - Lateral fixing screw required.

## Internal escutcheon

- Panic function, internal handle always opens door.

## Handle shapes and surfaces



Vector



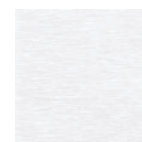
Xara



Sena



Zafira



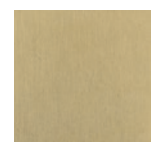
Stainless Steel



PVD Satin Chrome



PVD Polish Brass



PVD Matt Brass