

★ Drill Door Holes

Drill door holes as Figure 1. Figure 1 is for left-handle design, as opposed is for right-handle. The unmarked size tolerance of door drilling according to GB/T12471-1990-level 2.

Note: In some special case, enlarge the hole where PCB locates to avoid the PCB touching the door.

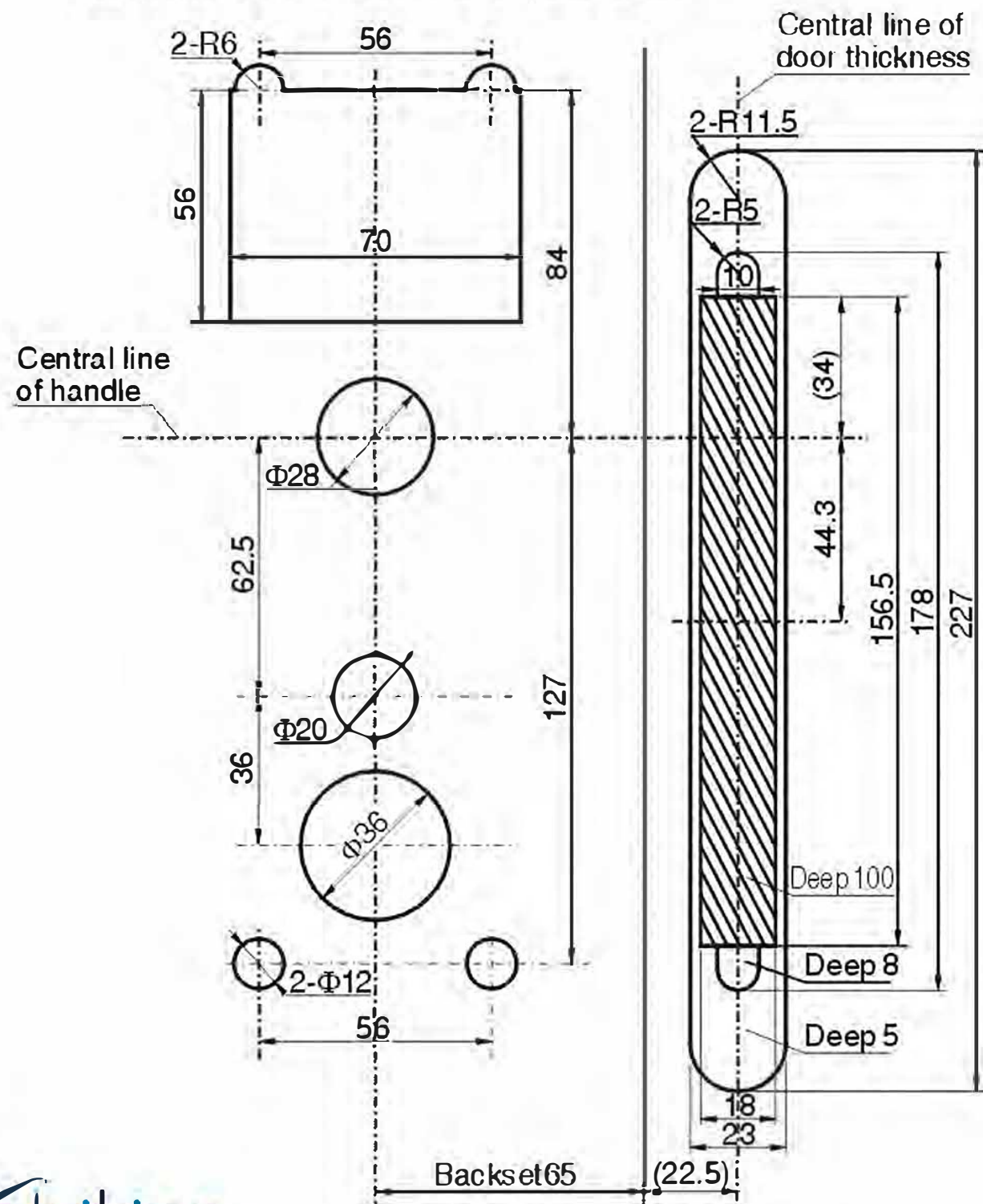


Figure 1

★ Strike box installation hole diagram

Make a hole on the door for installing strike box as Figure 2 shown; The height of the holes is the same as of the door lock. The position of strike box should be arranged so that the lock keeps flush with the doorframe when close it.

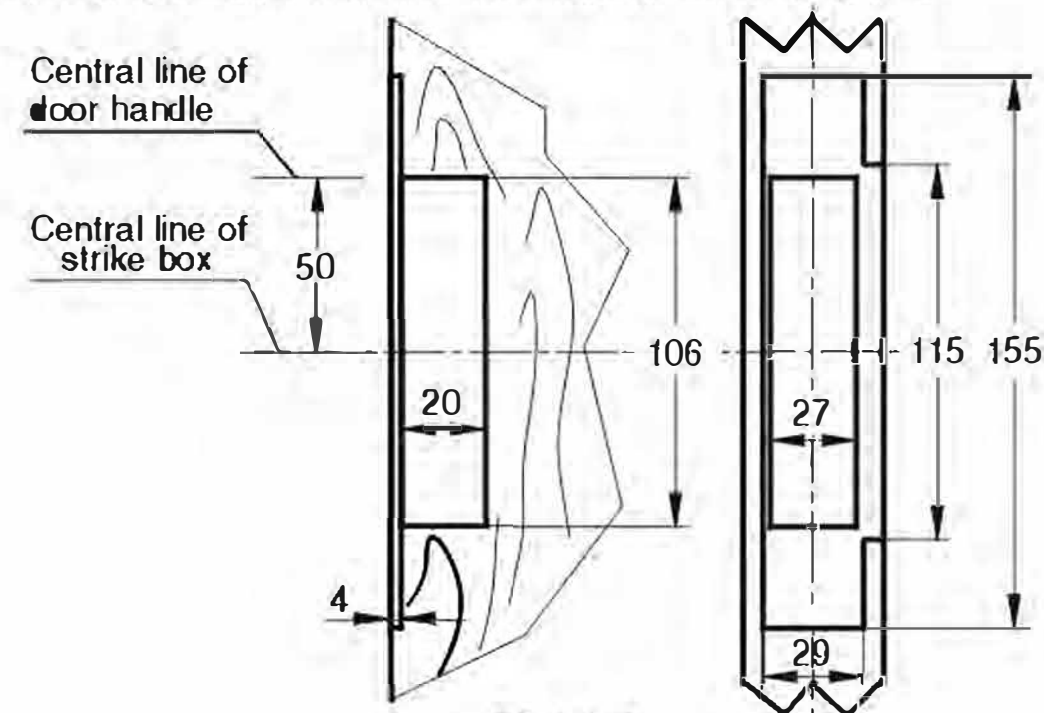


Figure 2

Install the strike box on the doorframe, put on the strike plate, and then fix them with 2 pieces of screw 4.2X25.

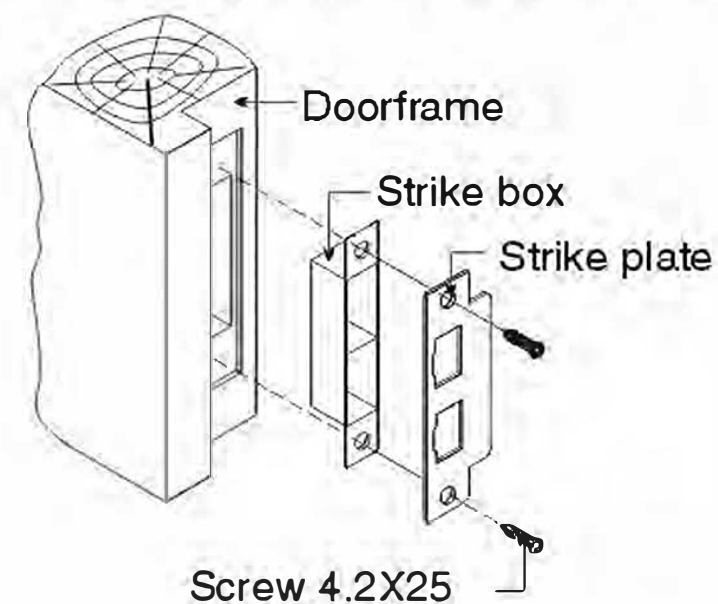
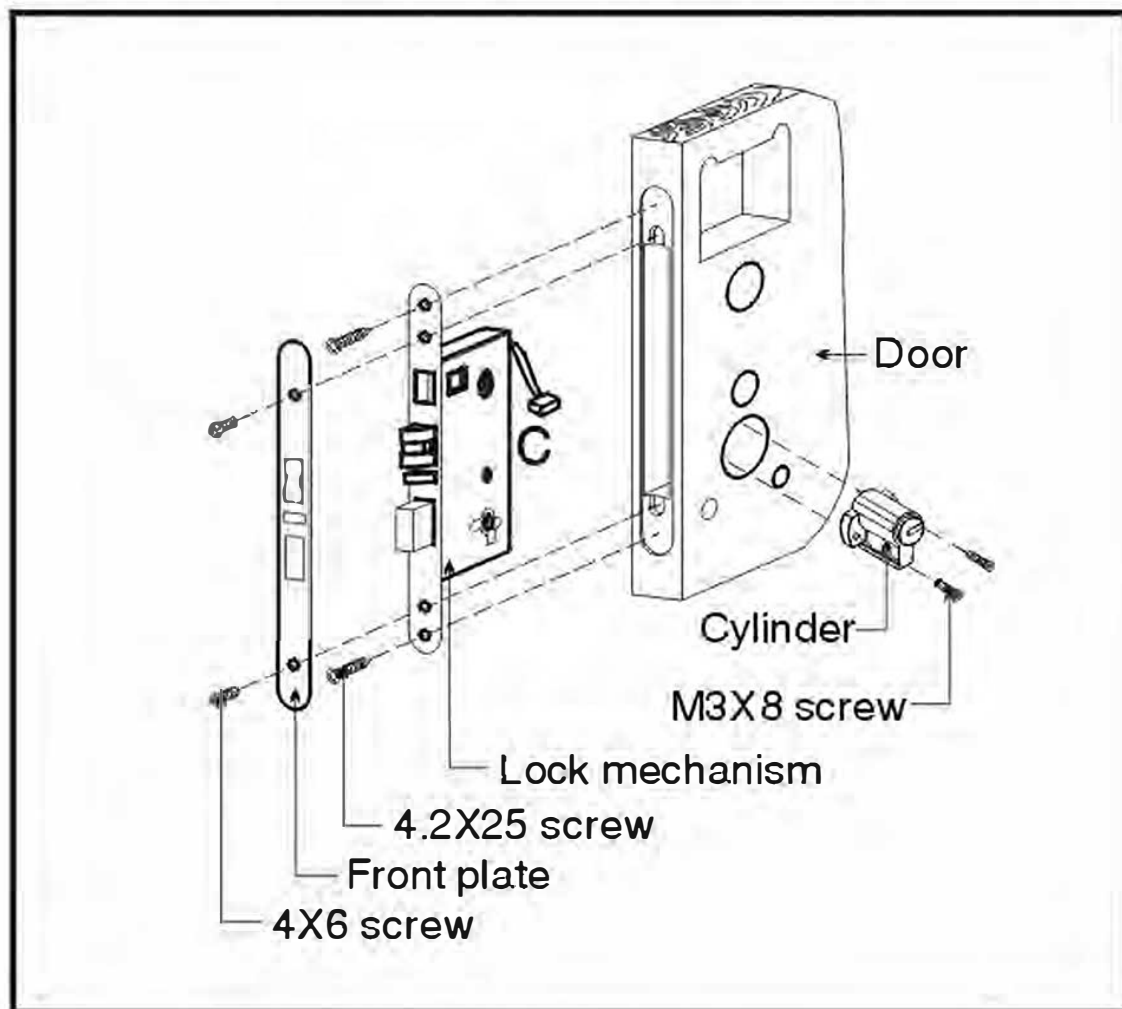


Figure 3

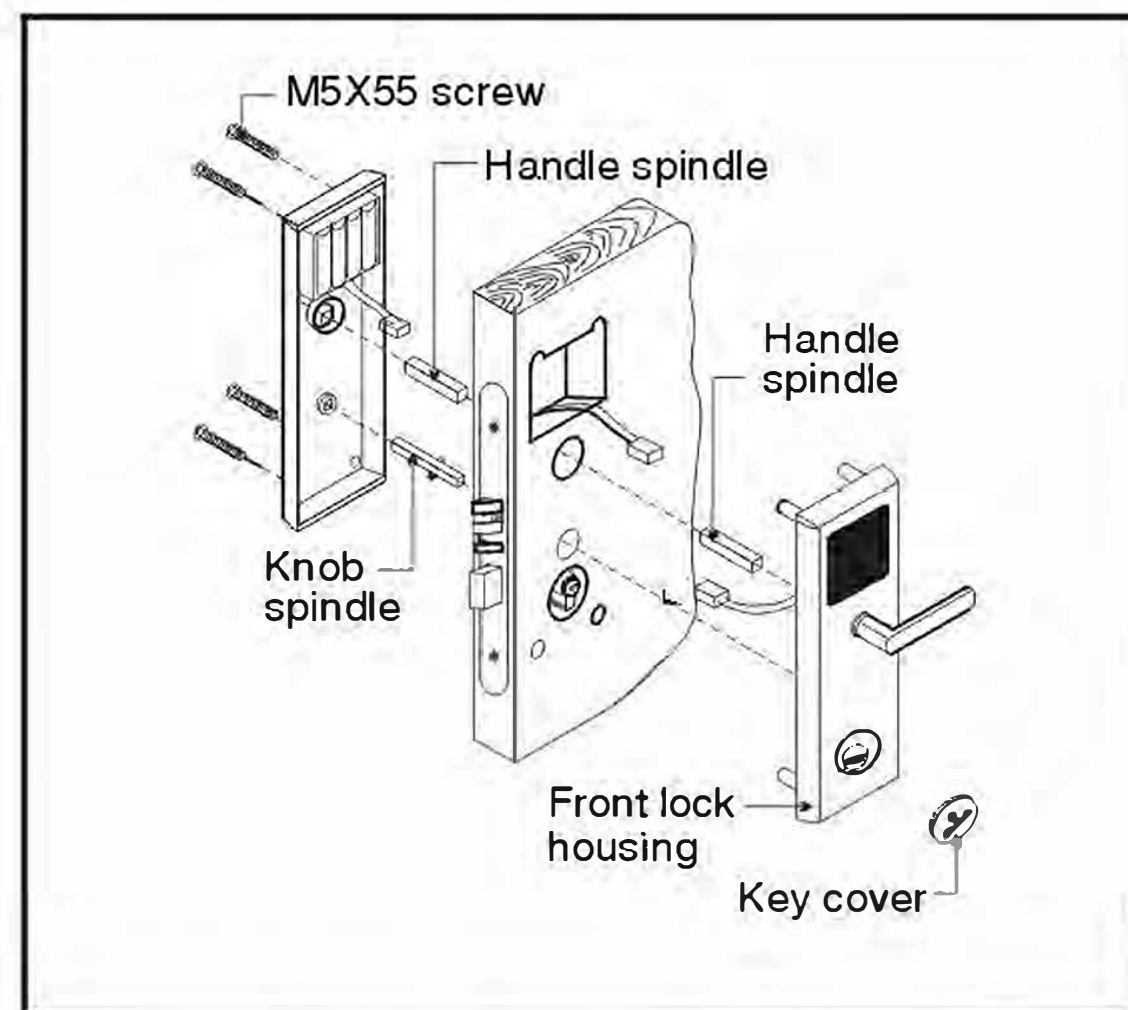
★ Installation Guide

Note: the appearance of lock in the pictures may be not the same with the real model, but the installation is the same.



Follow template instructions:

(1). Put plug C to the outside through the door hole, and insert the lock mechanism into the doorframe, then fasten with 2 pieces of 4.2X25 screws. Then install cylinder into the mortise by two screws. Cover the front plate on it and fasten with 2 pieces of 4X6 screws.



(2). Connect plug C with socket A, and connect wire B with D, then insert the two handle spindle into the holes of front and back handles respectively, regarding the knob spindle, please put the longer part into the small hole of back lock housing. While attaching the front and back lock housing to the door, make sure the cylinder on the right position. Then fasten the back and front lock body with 4 pieces of M5X55 screws. After installation, turn handle to make sure the latches and deadbolt work smoothly, the lock works properly with opening card. If no problem, put a key cover to cover the cylinder.